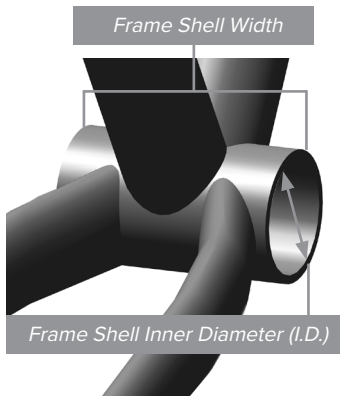




DUB: CHOOSE A ROAD BOTTOM BRACKET

Follow the chart to determine which bottom bracket works with your frame.



Is the frame shell threaded?

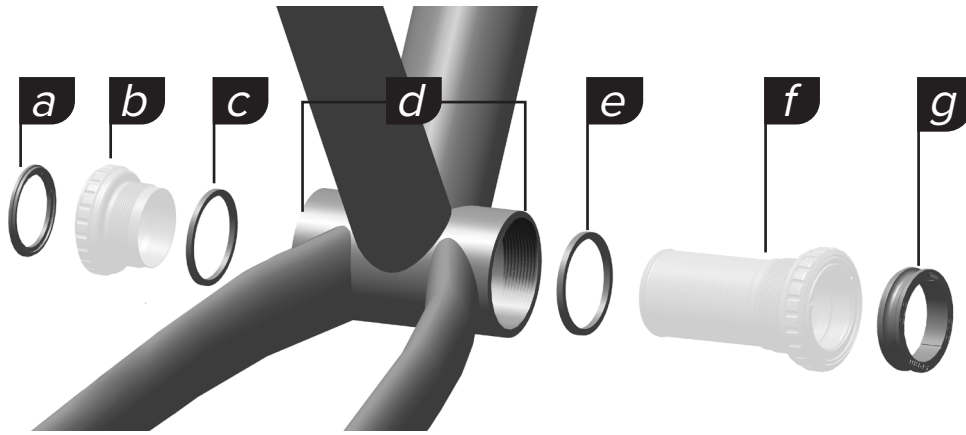
No

Yes

Frame Shell Width (mm)	Frame Shell I.D. (mm)	Crankset	Bottom Bracket Name	Part Number
68	42	Road	DUB BB30 68 Road DUB Ceramic BB30 68 Road	00.6418.017.000 Ceramic: 00.6418.017.005
		Road-Wide	DUB BB30 68 Road-Wide DUB Ceramic BB30 68 Road-Wide	00.6418.017.003 Ceramic: 00.6418.017.007
	46	Road	DUB PF30 68 Road DUB Ceramic PF30 68 Road	00.6418.018.000 Ceramic: 00.6418.018.007
		Road-Wide	DUB PF30 68 Road-Wide DUB Ceramic PF30 68 Road-Wide	00.6418.018.001 Ceramic: 00.6418.018.008
73	42	Road	■ DUB BB30 73-A Road	00.6418.027.000 Ceramic: 00.6418.017.008
		Road-Wide	DUB BB30 73 Road-Wide DUB Ceramic BB30 73 Road-Wide	00.6418.017.000 Ceramic: 00.6418.017.005
			■ DUB BB30 73-A Road-Wide DUB Ceramic BB30 73-A Road-Wide	00.6418.017.002 Ceramic: 00.6418.017.006
	46	Road	■ DUB PF30 73-A Road	00.6418.028.001
		Road-Wide	DUB PF30 73 Road-Wide DUB Ceramic PF30 73 Road-Wide	00.6418.018.000 Ceramic: 00.6418.018.007
			■ DUB PF30 73-A Road-Wide DUB Ceramic PF30 73-A Road-Wide	00.6418.018.004 Ceramic: 00.6418.018.009
79	46	Road	● DUB PF30 79-A Road	00.6418.028.000
		Road-Wide	● DUB PF30 79-A Road-Wide	00.6418.018.003
83	42	Road-Ai	■ DUB BB30 83-A Road Ai	00.6418.027.001
	46	Road-Ai	■ DUB PF30 83-A Road Ai	00.6418.028.002
86.5	41	Road	DUB PF 86.5 Road	00.6418.025.000
		Road-Wide	DUB PF 86.5 Road-Wide DUB Ceramic PF 86.5 Road-Wide	00.6418.016.004 Ceramic: 00.6418.016.007
	46	Road	DUB BB386 86.5 Road DUB Ceramic BB386 86.5 Road	00.6418.026.000 Ceramic: 00.6418.018.011
		Road-Wide	DUB BB386 86.5 Road-Wide DUB Ceramic BB386 86.5 Road-Wide	00.6418.018.005 Ceramic: 00.6418.018.010
90.5	37		* ► GXP® crank with BB90	
68	English Threaded	Road	DUB BSA 68 Road DUB Ceramic BSA 68 Road	00.6418.015.000 Ceramic: 00.6418.015.008
		Road-Wide	DUB BSA 68 Road-Wide DUB Ceramic BSA 68 Road-Wide	00.6418.015.004 Ceramic: 00.6418.015.009
	T47	Road	DUB T47 68 Road DUB Ceramic T47 68 Road	00.6418.033.002 Ceramic: 00.6418.033.006
		Road-Wide	DUB T47 68 Road-Wide DUB Ceramic T47 68 Road-Wide	00.6418.033.002 Ceramic: 00.6418.033.006
70	Italian Threaded	Road	DUB Italian 70 Road DUB Ceramic Italian 70 Road	00.6418.038.000 Ceramic: 00.6418.038.001
		Road-Wide	DUB Italian 70 Road-Wide DUB Ceramic Italian 70 Road-Wide	00.6418.038.000 Ceramic: 00.6418.038.001
73	English Threaded	Road-Wide	DUB BSA 73 Road-Wide DUB Ceramic BSA 73 Road-Wide	00.6418.015.000 Ceramic: 00.6418.015.008
77	T47	Road	DUB T47 77-A Road DUB Ceramic T47 77-A Road	00.6418.033.003 Ceramic: 00.6418.033.007
		Road-Wide	DUB T47 77-A Road-Wide DUB Ceramic T47 77-A Road-Wide	00.6418.033.003 Ceramic: 00.6418.033.007
85.5	T47	Road	DUB T47 85.5 Road DUB Ceramic T47 85.5 Road	00.6418.033.000 Ceramic: 00.6418.033.004
		Road-Wide	DUB T47 85.5 Road-Wide DUB Ceramic T47 85.5 Road-Wide	00.6418.033.001 Ceramic: 00.6418.033.005

* No DUB option available for this BB. Please use the option shown.
 ■ Cannondale® only
 ● Cervelo® only; BBRight™
 ► Trek® only. Contact Trek for BB.

DUB™ ROAD CRANKSET BOTTOM BRACKET SPACERS



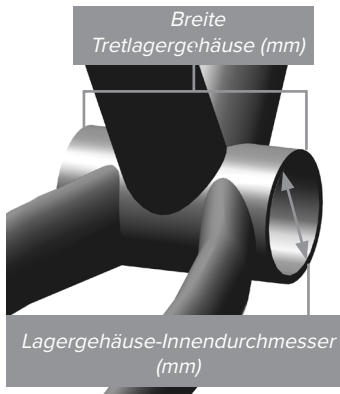
- a. Outer left, non-drive side spacer
- b. Left side cup
- c. Inner left, non-drive side spacer
- d. Frame shell width
- e. Inner right, drive side spacer
- f. Right side cup and center tube
- g. Outer right, drive side spacer

Frame Shell Interface and Width (mm)		Crankset	Outer Left Spacer (mm)	Inner Left Spacer (mm)	Inner Right Spacer (mm)	Outer Right Spacer (mm)
BSA	68	Road	-	-	-	3
		Road - Wide	2.5	-	-	5.5
	73	Road - Wide	-	-	-	3
Italian	70	Road	-	-	-	2
		Road - Wide	2.5	-	-	4.5
T47	68	Road	-	-	-	3
		Road - Wide	2.5	-	-	5.5
	77 - A	Road	-	-	-	3
		Road - Wide	2.5	-	-	5.5
	85.5	Road	-	-	-	3
		Road - Wide	2.5	-	-	5.5
PressFit	86.5	Road	-	-	-	3
		Road - Wide	2.5	-	-	5.5
PressFit 30	68	Road	-	-	-	3
		Road - Wide	2.5	-	-	5.5
	73	Road - Wide	-	-	-	3
		Road	-	-	-	3
	73 - A	Road - Wide	2.5	-	-	5.5
		Road	-	-	-	3
	79 - A	Road - Wide	2.5	-	-	5.5
		Road	-	-	-	3
83 - A	Road - Ai	6	-	-	9	
BB386	86.5	Road	-	-	-	2
		Road - Wide	2.5	-	-	4.5
BB30	68	Road	-	-	-	3
		Road - Wide	2.5	-	-	5.5
	73	Road - Wide	-	-	-	3
		Road	-	-	-	3
	73 - A	Road - Wide	2.5	-	-	5.5
		Road	-	-	-	3
83 - A	Road - Ai	-	-	-	4.5	



DUB: RENNRAD-TRETLAGER AUSWÄHLEN

Die Tabelle zeigt, welches Tretlager zu Ihrem Rahmen passt.



Ist das Lagergehäuse mit Gewinde versehen?

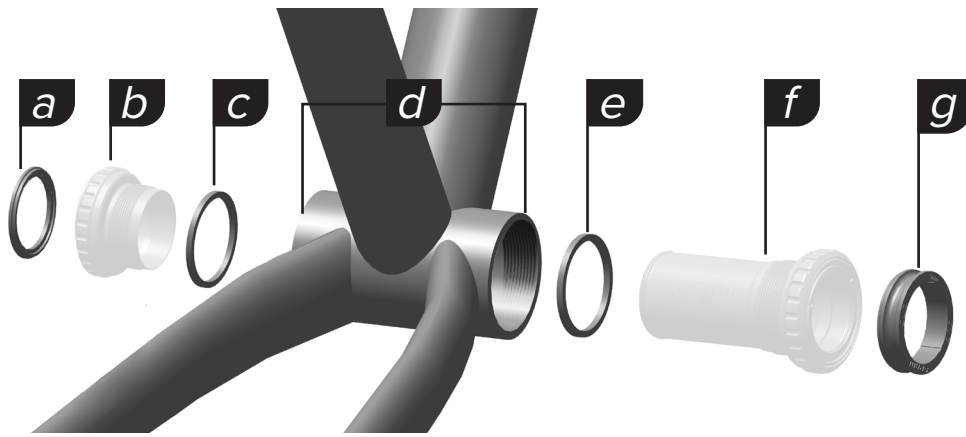
Nein

Ja

Breite Tretlagergehäuse (mm)	Lagergehäuse-Innendurchmesser (mm)	Kurbelgarnitur	Innenlager Bezeichnung	Teilenummer
68	42	Road	DUB BB30 68 Road DUB Ceramic BB30 68 Road	00.6418.017.000 Ceramic: 00.6418.017.005
		Road-Wide	DUB BB30 68 Road-Wide DUB Ceramic BB30 68 Road-Wide	00.6418.017.003 Ceramic: 00.6418.017.007
	46	Road	DUB PF30 68 Road DUB Ceramic PF30 68 Road	00.6418.018.000 Ceramic: 00.6418.018.007
		Road-Wide	DUB PF30 68 Road-Wide DUB Ceramic PF30 68 Road-Wide	00.6418.018.001 Ceramic: 00.6418.018.008
73	42	Road	■ DUB BB30 73-A Road	00.6418.027.000 Ceramic: 00.6418.017.008
		Road-Wide	DUB BB30 73 Road-Wide DUB Ceramic BB30 73 Road-Wide	00.6418.017.000 Ceramic: 00.6418.017.005
			■ DUB BB30 73-A Road-Wide DUB Ceramic BB30 73-A Road-Wide	00.6418.017.002 Ceramic: 00.6418.017.006
	46	Road	■ DUB PF30 73-A Road	00.6418.028.001
		Road-Wide	DUB PF30 73 Road-Wide DUB Ceramic PF30 73 Road-Wide	00.6418.018.000 Ceramic: 00.6418.018.007
			■ DUB PF30 73-A Road-Wide DUB Ceramic PF30 73-A Road-Wide	00.6418.018.004 Ceramic: 00.6418.018.009
79	46	Road	● DUB PF30 79-A Road	00.6418.028.000
		Road-Wide	● DUB PF30 79-A Road-Wide	00.6418.018.003
83	42	Road-Ai	■ DUB BB30 83-A Road Ai	00.6418.027.001
	46	Road-Ai	■ DUB PF30 83-A Road Ai	00.6418.028.002
86.5	41	Road	DUB PF 86.5 Road	00.6418.025.000
		Road-Wide	DUB PF 86.5 Road-Wide DUB Ceramic PF 86.5 Road-Wide	00.6418.016.004 Ceramic: 00.6418.016.007
	46	Road	DUB BB386 86.5 Road DUB Ceramic BB386 86.5 Road	00.6418.026.000 Ceramic: 00.6418.018.011
		Road-Wide	DUB BB386 86.5 Road-Wide DUB Ceramic BB386 86.5 Road-Wide	00.6418.018.005 Ceramic: 00.6418.018.010
90.5	37		* ► GXP® crank with BB90	
68	Englisches Gewinde/ BSA	Road	DUB BSA 68 Road DUB Ceramic BSA 68 Road	00.6418.015.000 Ceramic: 00.6418.015.008
		Road-Wide	DUB BSA 68 Road-Wide DUB Ceramic BSA 68 Road-Wide	00.6418.015.004 Ceramic: 00.6418.015.009 ?
	T47	Road	DUB T47 68 Road DUB Ceramic T47 68 Road	00.6418.033.002 Ceramic: 00.6418.033.006
		Road-Wide	DUB T47 68 Road-Wide DUB Ceramic T47 68 Road-Wide	00.6418.033.002 Ceramic: 00.6418.033.006
70	Italienisches Gewinde	Road	DUB Italian 70 Road DUB Ceramic Italian 70 Road	00.6418.038.000 Ceramic: 00.6418.038.001
		Road-Wide	DUB Italian 70 Road-Wide DUB Ceramic Italian 70 Road-Wide	00.6418.038.000 Ceramic: 00.6418.038.001
73	Italienisches Gewinde BSA	Road-Wide	DUB BSA 73 Road-Wide DUB Ceramic BSA 73 Road-Wide	00.6418.015.000 Ceramic: 00.6418.015.008
77	T47	Road	DUB T47 77-A Road DUB Ceramic T47 77-A Road	00.6418.033.003 Ceramic: 00.6418.033.007
		Road-Wide	DUB T47 77-A Road-Wide DUB Ceramic T47 77-A Road-Wide	00.6418.033.003 Ceramic: 00.6418.033.007
85.5	T47	Road	DUB T47 85.5 Road DUB Ceramic T47 85.5 Road	00.6418.033.000 Ceramic: 00.6418.033.004
		Road-Wide	DUB T47 85.5 Road-Wide DUB Ceramic T47 85.5 Road-Wide	00.6418.033.001 Ceramic: 00.6418.033.005

* Für dieses Tretlager ist keine DUB-Option verfügbar. Bitte nutzen Sie die abgebildete Option.
 ■ nur Cannondale®
 ● nur Cervelo®: BBRright™
 ► nur Trek®: Kontaktieren Sie Trek für Tretlager

INNENLAGER-DISTANZSTÜCKE FÜR DUB™-KURBELGARNITUR



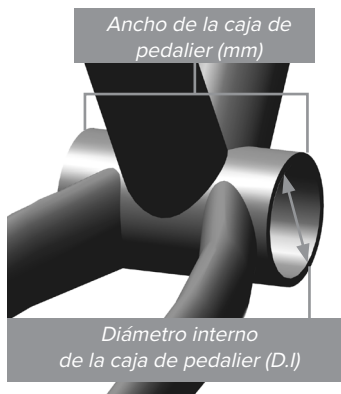
- a. Distanzstück, Nicht-Antriebsseite, außen links
- b. Linke Lagerschale
- c. Distanzstück, Nicht-Antriebsseite, innen links
- d. Breite Tretlagergehäuse
- e. Distanzstück, Antriebsseite, innen rechts
- f. Rechte Lagerschale und Innenlagerhülse
- g. Distanzstück, Antriebsseite, außen rechts

Ausführung und Breite Tretlagergehäuse (mm)		Kurbelgarnitur	Distanzstück, außen links (mm)	Distanzstück, innen links (mm)	Distanzstück, innen rechts (mm)	Distanzstück, außen rechts (mm)
BSA	68	Road	-	-	-	3
		Road - Wide	2.5	-	-	5.5
	73	Road - Wide	-	-	-	3
Italian	70	Road	-	-	-	2
		Road - Wide	2.5	-	-	4.5
T47	68	Road	-	-	-	3
		Road - Wide	2.5	-	-	5.5
	77 - A	Road	-	-	-	3
		Road - Wide	2.5	-	-	5.5
	85.5	Road	-	-	-	3
		Road - Wide	2.5	-	-	5.5
PressFit	86.5	Road	-	-	-	3
		Road - Wide	2.5	-	-	5.5
PressFit 30	68	Road	-	-	-	3
		Road - Wide	2.5	-	-	5.5
	73	Road - Wide	-	-	-	3
		Road	-	-	-	3
	73 - A	Road	-	-	-	3
		Road - Wide	2.5	-	-	5.5
	79 - A	Road	-	-	-	3
		Road - Wide	2.5	-	-	5.5
83 - A	Road - Ai	6	-	-	9	
BB386	86.5	Road	-	-	-	2
		Road - Wide	2.5	-	-	4.5
BB30	68	Road	-	-	-	3
		Road - Wide	2.5	-	-	5.5
	73	Road - Wide	-	-	-	3
		Road	-	-	-	3
	73 - A	Road	-	-	-	3
		Road - Wide	2.5	-	-	5.5
83 - A	Road - Ai	-	-	-	4.5	



DUB: ELECCIÓN DEL PEDALIER

Sigue las instrucciones del gráfico para saber qué pedalier encaja en tu cuadro.



¿La caja de pedalier es estriada?

No

Sí

Ancho de la caja de pedalier (mm)	Diámetro interno de la caja de pedalier	Conjunto de bielas	Pedalier	Nº de pieza
68	42	Carretera	DUB BB30 68 Road DUB Ceramic BB30 68 Road	00.6418.017.000 Ceramic: 00.6418.017.005
		Carretera-ancha	DUB BB30 68 Road-Wide DUB Ceramic BB30 68 Road-Wide	00.6418.017.003 Ceramic: 00.6418.017.007
	46	Carretera	DUB PF30 68 Road DUB Ceramic PF30 68 Road	00.6418.018.000 Ceramic: 00.6418.018.007
		Carretera-ancha	DUB PF30 68 Road-Wide DUB Ceramic PF30 68 Road-Wide	00.6418.018.001 Ceramic: 00.6418.018.008
73	42	Carretera	■ DUB BB30 73-A Road	00.6418.027.000 Ceramic: 00.6418.017.008
		Carretera-ancha	DUB BB30 73 Road-Wide DUB Ceramic BB30 73 Road-Wide	00.6418.017.000 Ceramic: 00.6418.017.005
			■ DUB BB30 73-A Road-Wide DUB Ceramic BB30 73-A Road-Wide	00.6418.017.002 Ceramic: 00.6418.017.006
	46	Carretera	■ DUB PF30 73-A Road	00.6418.028.001
		Carretera-ancha	DUB PF30 73 Road-Wide DUB Ceramic PF30 73 Road-Wide	00.6418.018.000 Ceramic: 00.6418.018.007
			■ DUB PF30 73-A Road-Wide DUB Ceramic PF30 73-A Road-Wide	00.6418.018.004 Ceramic: 00.6418.018.009
79	46	Carretera	● DUB PF30 79-A Road	00.6418.028.000
		Carretera-ancha	● DUB PF30 79-A Road-Wide	00.6418.018.003
83	42	Carretera-Ai	■ DUB BB30 83-A Road Ai	00.6418.027.001
	46	Carretera-Ai	■ DUB PF30 83-A Road Ai	00.6418.028.002
86.5	41	Carretera	DUB PF 86.5 Road	00.6418.025.000
		Carretera-ancha	DUB PF 86.5 Road-Wide DUB Ceramic PF 86.5 Road-Wide	00.6418.016.004 Ceramic: 00.6418.016.007
	46	Carretera	DUB BB386 86.5 Road DUB Ceramic BB386 86.5 Road	00.6418.026.000 Ceramic: 00.6418.018.011
		Carretera-ancha	DUB BB386 86.5 Road-Wide DUB Ceramic BB386 86.5 Road-Wide	00.6418.018.005 Ceramic: 00.6418.018.010
90.5	37		* ► Bielas GXP® con BB90	
68	Rosca inglesa	Carretera	DUB BSA 68 Road DUB Ceramic BSA 68 Road	00.6418.015.000 Ceramic: 00.6418.015.008
		Carretera-ancha	DUB BSA 68 Road-Wide DUB Ceramic BSA 68 Road-Wide	00.6418.015.004 Ceramic: 00.6418.015.009
	T47	Carretera	DUB T47 68 Road DUB Ceramic T47 68 Road	00.6418.033.002 Ceramic: 00.6418.033.006
		Carretera-ancha	DUB T47 68 Road-Wide DUB Ceramic T47 68 Road-Wide	00.6418.033.002 Ceramic: 00.6418.033.006
70	Rosca italiana	Carretera	DUB Italian 70 Road DUB Ceramic Italian 70 Road	00.6418.038.000 Ceramic: 00.6418.038.001
		Carretera-ancha	DUB Italian 70 Road-Wide DUB Ceramic Italian 70 Road-Wide	00.6418.038.000 Ceramic: 00.6418.038.001
73	inglesa	Carretera-ancha	DUB BSA 73 Road-Wide DUB Ceramic BSA 73 Road-Wide	00.6418.015.000 Ceramic: 00.6418.015.008
77	T47	Carretera	DUB T47 77-A Road DUB Ceramic T47 77-A Road	00.6418.033.003 Ceramic: 00.6418.033.007
		Carretera-ancha	DUB T47 77-A Road-Wide DUB Ceramic T47 77-A Road-Wide	00.6418.033.003 Ceramic: 00.6418.033.007
85.5	T47	Carretera	DUB T47 85.5 Road DUB Ceramic T47 85.5 Road	00.6418.033.000 Ceramic: 00.6418.033.004
		Carretera-ancha	DUB T47 85.5 Road-Wide DUB Ceramic T47 85.5 Road-Wide	00.6418.033.001 Ceramic: 00.6418.033.005

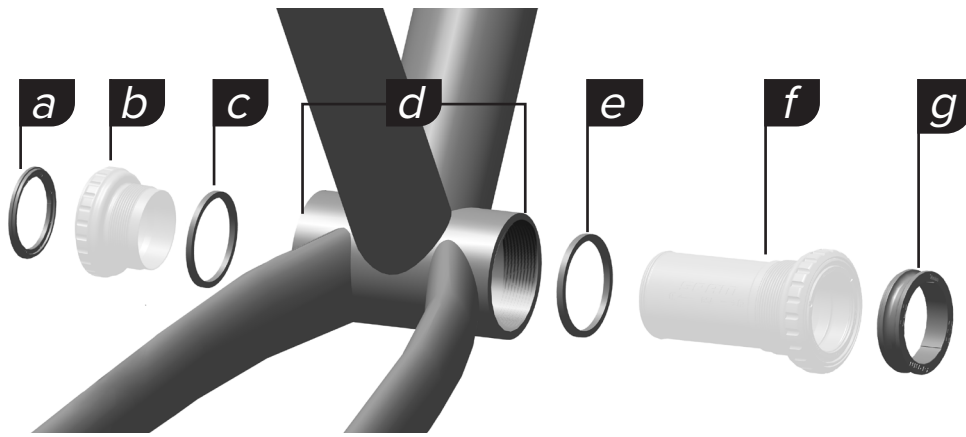
* No existe versión DUB para este pedalier. Por favor, utiliza la versión mostrada

■ Solo Cannondale®

● Uniquement Cervelo®; BBRight™

► Uniquement Trek®. Veuillez contacter Trek pour le boîtier de pédalier.

ESPACIADORES DE PLATO Y PEDALIER DUB™



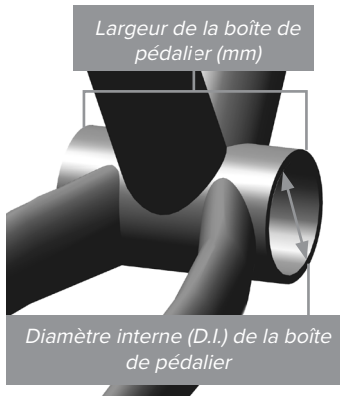
- a. Espaciador externo izquierdo del lado no motriz
- b. Cazoleta del lado izquierdo
- c. Espaciador interno izquierdo del lado no motriz
- d. Ancho de la caja del cuadro
- e. Espaciador interno derecho del lado no motriz
- f. Cazoleta del lado derecho y tubo central
- g. Espaciador externo derecho del lado motriz

Interfaz y ancho (mm) de la caja del cuadro		Conjunto de bielas	Espaciador externo izquierdo (mm)	Espaciador interno izquierdo (mm)	Espaciador interno derecho (mm)	Espaciador externo derecho (mm)
BSA	68	Carretera	-	-	-	3
		Carretera-ancha	2.5	-	-	5.5
	73	Carretera-ancha	-	-	-	3
Italian	70	Carretera	-	-	-	2
		Carretera-ancha	2.5	-	-	4.5
T47	68	Carretera	-	-	-	3
		Carretera-ancha	2.5	-	-	5.5
	77 - A	Carretera	-	-	-	3
		Carretera-ancha	2.5	-	-	5.5
	85.5	Carretera	-	-	-	3
		Carretera-ancha	2.5	-	-	5.5
PressFit	86.5	Carretera	-	-	-	3
		Carretera-ancha	2.5	-	-	5.5
PressFit 30	68	Carretera	-	-	-	3
		Carretera-ancha	2.5	-	-	5.5
	73	Carretera-ancha	-	-	-	3
		Carretera	-	-	-	3
	73 - A	Carretera-ancha	2.5	-	-	5.5
		Carretera	-	-	-	3
	79 - A	Carretera-ancha	2.5	-	-	5.5
		Carretera	-	-	-	3
83 - A	Carretera - Ai	6	-	-	9	
BB386	86.5	Carretera	-	-	-	2
		Carretera-ancha	2.5	-	-	4.5
BB30	68	Carretera	-	-	-	3
		Carretera-ancha	2.5	-	-	5.5
	73	Carretera-ancha	-	-	-	3
		Carretera	-	-	-	3
	73 - A	Carretera-ancha	2.5	-	-	5.5
		Carretera	-	-	-	3
83 - A	Carretera - Ai	-	-	-	4.5	



DUB™: CHOISIR LE BON BOÎTIER DE PÉDALIER ROUTE

Suivez le guide ci-dessous pour déterminer quel boîtier de pédalier est adapté à votre cadre.



Est-ce que la boîte de pédalier est filetée ?

Non

Oui

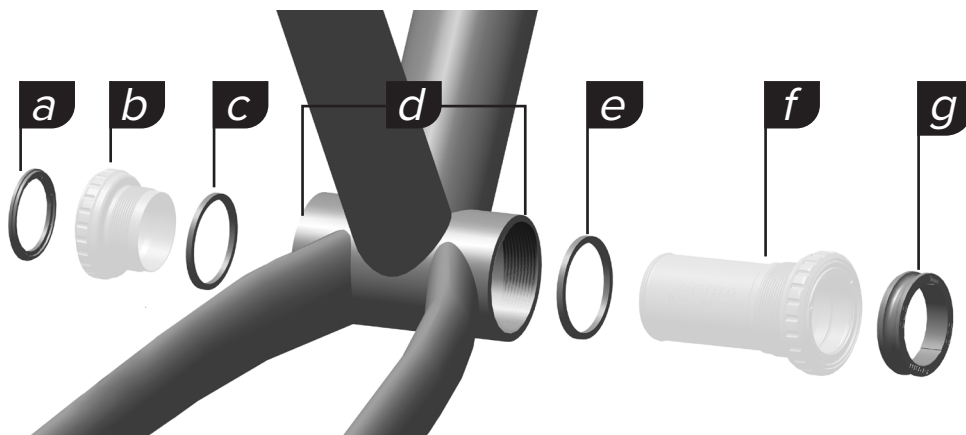
Largueur de la boîte de pédalier (mm)	D.I. de la boîte de pédalier (mm)	Pédalier	Nom du boîtier de pédalier	Numéro d'article
68	42	Route	DUB BB30 68 Road DUB Ceramic BB30 68 Road	00.6418.017.000 Ceramic: 00.6418.017.005
		Route-Wide	DUB BB30 68 Road-Wide DUB Ceramic BB30 68 Road-Wide	00.6418.017.003 Ceramic: 00.6418.017.007
	46	Route	DUB PF30 68 Road DUB Ceramic PF30 68 Road	00.6418.018.000 Ceramic: 00.6418.018.007
		Route-Wide	DUB PF30 68 Road-Wide DUB Ceramic PF30 68 Road-Wide	00.6418.018.001 Ceramic: 00.6418.018.008
73	42	Route	■ DUB BB30 73-A Road	00.6418.027.000 Ceramic: 00.6418.017.008
		Route-Wide	DUB BB30 73 Road-Wide DUB Ceramic BB30 73 Road-Wide	00.6418.017.000 Ceramic: 00.6418.017.005
			■ DUB BB30 73-A Road-Wide DUB Ceramic BB30 73-A Road-Wide	00.6418.017.002 Ceramic: 00.6418.017.006
	46	Route	■ DUB PF30 73-A Road	00.6418.028.001
		Route-Wide	DUB PF30 73 Road-Wide DUB Ceramic PF30 73 Road-Wide	00.6418.018.000 Ceramic: 00.6418.018.007
			■ DUB PF30 73-A Road-Wide DUB Ceramic PF30 73-A Road-Wide	00.6418.018.004 Ceramic: 00.6418.018.009
79	46	Route	● DUB PF30 79-A Road	00.6418.028.000
		Route-Wide	● DUB PF30 79-A Road-Wide	00.6418.018.003
83	42	Route-Ai	■ DUB BB30 83-A Road Ai	00.6418.027.001
	46	Route-Ai	■ DUB PF30 83-A Road Ai	00.6418.028.002
86.5	41	Route	DUB PF 86.5 Road	00.6418.025.000
		Route-Wide	DUB PF 86.5 Road-Wide DUB Ceramic PF 86.5 Road-Wide	00.6418.016.004 Ceramic: 00.6418.016.007
	46	Route	DUB BB386 86.5 Road DUB Ceramic BB386 86.5 Road	00.6418.026.000 Ceramic: 00.6418.018.011
		Route-Wide	DUB BB386 86.5 Road-Wide DUB Ceramic BB386 86.5 Road-Wide	00.6418.018.005 Ceramic: 00.6418.018.010
90.5	37		* ► GXP® crank with BB90	

68	Filetage anglais	Route	DUB BSA 68 Road DUB Ceramic BSA 68 Road	00.6418.015.000 Ceramic: 00.6418.015.008
		Route-Wide	DUB BSA 68 Road-Wide DUB Ceramic BSA 68 Road-Wide	00.6418.015.004 Ceramic: 00.6418.015.009
	T47	Route	DUB T47 68 Road DUB Ceramic T47 68 Road	00.6418.033.002 Ceramic: 00.6418.033.006
		Route-Wide	DUB T47 68 Road-Wide DUB Ceramic T47 68 Road-Wide	00.6418.033.002 Ceramic: 00.6418.033.006
70	Filetage italien	Route	DUB Italian 70 Road DUB Ceramic Italian 70 Road	00.6418.038.000 Ceramic: 00.6418.038.001
		Route-Wide	DUB Italian 70 Road-Wide DUB Ceramic Italian 70 Road-Wide	00.6418.038.000 Ceramic: 00.6418.038.001
73	Anglais	Route-Wide	DUB BSA 73 Road-Wide DUB Ceramic BSA 73 Road-Wide	00.6418.015.000 Ceramic: 00.6418.015.008
77	T47	Route	DUB T47 77-A Road DUB Ceramic T47 77-A Road	00.6418.033.003 Ceramic: 00.6418.033.007
		Route-Wide	DUB T47 77-A Road-Wide DUB Ceramic T47 77-A Road-Wide	00.6418.033.003 Ceramic: 00.6418.033.007
85.5	T47	Route	DUB T47 85.5 Road DUB Ceramic T47 85.5 Road	00.6418.033.000 Ceramic: 00.6418.033.004
		Route-Wide	DUB T47 85.5 Road-Wide DUB Ceramic T47 85.5 Road-Wide	00.6418.033.001 Ceramic: 00.6418.033.005

* Pas d'option DUB disponible pour ce boîtier de pédalier. Veuillez utiliser l'option montrée.

■ Uniquement pour Cannondale®
● Uniquement Cervélo®, BBRright™
► Uniquement Trek®. Veuillez contacter Trek pour le boîtier de pédalier.

ENTRETOISES POUR JEU DE PÉDALIER DUB™



- a. Entretoise extérieure gauche, côté opposé à la chaîne
- b. Cuvette de gauche
- c. Entretoise intérieure gauche, côté opposé à la chaîne
- d. Largeur du boîtier de cadre
- e. Entretoise intérieure droite, côté de la chaîne
- f. Cuvette de droite et tube central
- g. Entretoise extérieure droite, côté de la chaîne

Interface du boîtier de cadre et largeur (mm)		Pédalier	Entretoise extérieure gauche (mm)	Entretoise intérieure gauche (mm)	Entretoise intérieure droite (mm)	Entretoise extérieure droite (mm)
BSA	68	Route	-	-	-	3
		Route-Wide	2.5	-	-	5.5
	73	Route-Wide	-	-	-	3
Italian	70	Route	-	-	-	2
		Route-Wide	2.5	-	-	4.5
T47	68	Route	-	-	-	3
		Route-Wide	2.5	-	-	5.5
	77 - A	Route	-	-	-	3
		Route-Wide	2.5	-	-	5.5
	85.5	Route	-	-	-	3
		Route-Wide	2.5	-	-	5.5
PressFit	86.5	Route	-	-	-	3
		Route-Wide	2.5	-	-	5.5
PressFit 30	68	Route	-	-	-	3
		Route-Wide	2.5	-	-	5.5
	73	Route-Wide	-	-	-	3
		Route	-	-	-	3
	73 - A	Route-Wide	2.5	-	-	5.5
		Route	-	-	-	3
	79 - A	Route-Wide	2.5	-	-	5.5
		Route	-	-	-	3
83 - A	Route - Ai	6	-	-	9	
BB386	86.5	Route	-	-	-	2
		Route-Wide	2.5	-	-	4.5
BB30	68	Route	-	-	-	3
		Route-Wide	2.5	-	-	5.5
	73	Route-Wide	-	-	-	3
		Route	-	-	-	3
	73 - A	Route-Wide	2.5	-	-	5.5
		Route	-	-	-	3
83 - A	Route - Ai	-	-	-	4.5	



DUB™: LA SCELTA DEL MOVIMENTO CENTRALE DA CORSA STRADA

Segui lo schema per identificare quale movimento centrale funziona con il tuo telaio.



La scatola del movimento centrale è filettata?

No

Sì

Larghezza scatola movimento centrale (mm)	Diametro interno scatola movimento (mm)	Guarnitura	Denominazione Movimento Centrale	Codice
68	42	Road	DUB BB30 68 Road DUB Ceramic BB30 68 Road	00.6418.017.000 Ceramic: 00.6418.017.005
		Road-Wide	DUB BB30 68 Road-Wide DUB Ceramic BB30 68 Road-Wide	00.6418.017.003 Ceramic: 00.6418.017.007
	46	Road	DUB PF30 68 Road DUB Ceramic PF30 68 Road	00.6418.018.000 Ceramic: 00.6418.018.007
		Road-Wide	DUB PF30 68 Road-Wide DUB Ceramic PF30 68 Road-Wide	00.6418.018.001 Ceramic: 00.6418.018.008
73	42	Road	■ DUB BB30 73-A Road	00.6418.027.000 Ceramic: 00.6418.017.008
		Road-Wide	DUB BB30 73 Road-Wide DUB Ceramic BB30 73 Road-Wide	00.6418.017.000 Ceramic: 00.6418.017.005
			■ DUB BB30 73-A Road-Wide DUB Ceramic BB30 73-A Road-Wide	00.6418.017.002 Ceramic: 00.6418.017.006
	46	Road	■ DUB PF30 73-A Road	00.6418.028.001
		Road-Wide	DUB PF30 73 Road-Wide DUB Ceramic PF30 73 Road-Wide	00.6418.018.000 Ceramic: 00.6418.018.007
			■ DUB PF30 73-A Road-Wide DUB Ceramic PF30 73-A Road-Wide	00.6418.018.004 Ceramic: 00.6418.018.009
79	46	Road	● DUB PF30 79-A Road	00.6418.028.000
		Road-Wide	● DUB PF30 79-A Road-Wide	00.6418.018.003
83	42	Road-Ai	■ DUB BB30 83-A Road Ai	00.6418.027.001
	46	Road-Ai	■ DUB PF30 83-A Road Ai	00.6418.028.002
86.5	41	Road	DUB PF 86.5 Road	00.6418.025.000
		Road-Wide	DUB PF 86.5 Road-Wide DUB Ceramic PF 86.5 Road-Wide	00.6418.016.004 Ceramic: 00.6418.016.007
	46	Road	DUB BB386 86.5 Road DUB Ceramic BB386 86.5 Road	00.6418.026.000 Ceramic: 00.6418.018.011
		Road-Wide	DUB BB386 86.5 Road-Wide DUB Ceramic BB386 86.5 Road-Wide	00.6418.018.005 Ceramic: 00.6418.018.010
90.5	37		* ► GXP® crank with BB90	

68	Filetto Inglese	Road	DUB BSA 68 Road DUB Ceramic BSA 68 Road	00.6418.015.000 Ceramic: 00.6418.015.008
		Road-Wide	DUB BSA 68 Road-Wide DUB Ceramic BSA 68 Road-Wide	00.6418.015.004 Ceramic: 00.6418.015.009
	T47	Road	DUB T47 68 Road DUB Ceramic T47 68 Road	00.6418.033.002 Ceramic: 00.6418.033.006
		Road-Wide	DUB T47 68 Road-Wide DUB Ceramic T47 68 Road-Wide	00.6418.033.002 Ceramic: 00.6418.033.006
70	Filetto Italiano	Road	DUB Italian 70 Road DUB Ceramic Italian 70 Road	00.6418.038.000 Ceramic: 00.6418.038.001
		Road-Wide	DUB Italian 70 Road-Wide DUB Ceramic Italian 70 Road-Wide	00.6418.038.000 Ceramic: 00.6418.038.001
73	Inglese	Road-Wide	DUB BSA 73 Road-Wide DUB Ceramic BSA 73 Road-Wide	00.6418.015.000 Ceramic: 00.6418.015.008
77	T47	Road	DUB T47 77-A Road DUB Ceramic T47 77-A Road	00.6418.033.003 Ceramic: 00.6418.033.007
		Road-Wide	DUB T47 77-A Road-Wide DUB Ceramic T47 77-A Road-Wide	00.6418.033.003 Ceramic: 00.6418.033.007
85.5	T47	Road	DUB T47 85.5 Road DUB Ceramic T47 85.5 Road	00.6418.033.000 Ceramic: 00.6418.033.004
		Road-Wide	DUB T47 85.5 Road-Wide DUB Ceramic T47 85.5 Road-Wide	00.6418.033.001 Ceramic: 00.6418.033.005

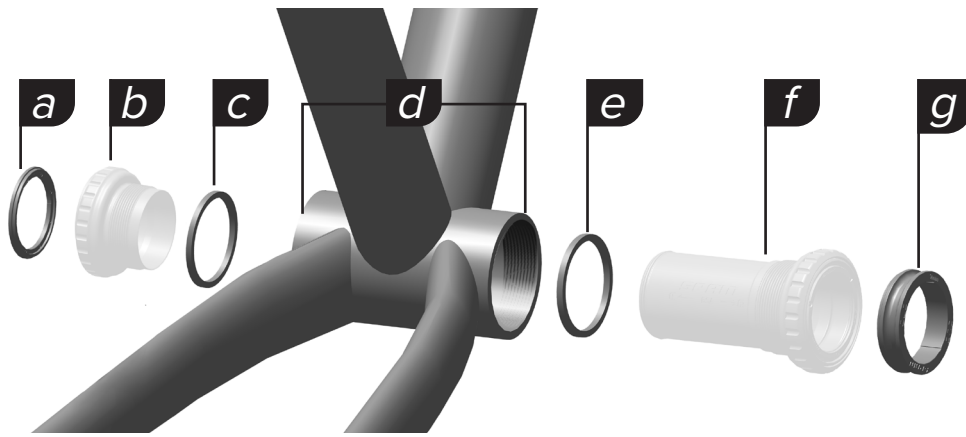
* Non esiste un'opzione DUB per questa scatola movimento. Utilizzare l'opzione indicata.

■ Solo Cannondale®

● Solo Cervelo®; BBRight™

► Solo Trek®. Contattare Trek per il movimento centrale.

DISTANZIALI MOVIMENTO CENTRALE PER GUARNITURE DUB™



- a. Distanziale esterno sinistro
- b. Coppetta lato sinistro
- c. Distanziale interno lato sinistro
- d. Larghezza scatola movimento centrale
- e. Distanziale interno destro, lato di guida
- f. Coppetta lato destro e tubo centrale
- g. Distanziale esterno destro

Interfaccia scatola movimento e larghezza (mm)		Guarnitura	Distanziale esterno sinistro (mm)	Distanziale interno sinistro (mm)	Distanziale interno destro (mm)	Distanziale esterno destro (mm)
BSA	68	Road	-	-	-	3
		Road - Wide	2.5	-	-	5.5
	73	Road - Wide	-	-	-	3
Italian	70	Road	-	-	-	2
		Road - Wide	2.5	-	-	4.5
T47	68	Road	-	-	-	3
		Road - Wide	2.5	-	-	5.5
	77 - A	Road	-	-	-	3
		Road - Wide	2.5	-	-	5.5
	85.5	Road	-	-	-	3
		Road - Wide	2.5	-	-	5.5
PressFit	86.5	Road	-	-	-	3
		Road - Wide	2.5	-	-	5.5
PressFit 30	68	Road	-	-	-	3
		Road - Wide	2.5	-	-	5.5
	73	Road - Wide	-	-	-	3
		Road - Wide	-	-	-	3
	73 - A	Road	-	-	-	3
		Road - Wide	2.5	-	-	5.5
	79 - A	Road	-	-	-	3
		Road - Wide	2.5	-	-	5.5
83 - A	Road - Ai	6	-	-	9	
BB386	86.5	Road	-	-	-	2
		Road - Wide	2.5	-	-	4.5
BB30	68	Road	-	-	-	3
		Road - Wide	2.5	-	-	5.5
	73	Road - Wide	-	-	-	3
		Road - Wide	-	-	-	3
	73 - A	Road	-	-	-	3
		Road - Wide	2.5	-	-	5.5
83 - A	Road - Ai	-	-	-	4.5	